



Your Water. Perfected.



EAFF-100

SINGLE-FILTER COLD WATER SYSTEM



Experience the purity and taste of bottled quality water in any room with a faucet.

Engineered for simplicity, it seamlessly integrates with any existing faucet. The EAFF-100 eliminates the need for drilling into your sink or countertop and can be placed in the kitchen, bathroom, or any room you'd like.

The EcoWater premium main faucet filtration removes the following in your water:



Sediment & Microplastics



Lead



Chemicals



Chlorine Taste & Odor



Cysts

If typical homes have three bathrooms, that's three more opportunities to drink clean water!

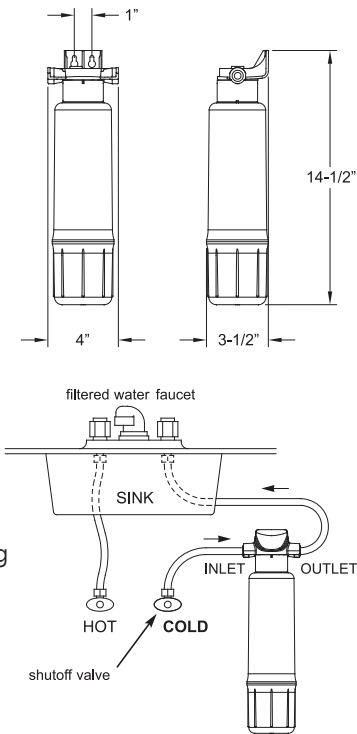


EAFF-100

SINGLE-FILTER COLD WATER SYSTEM

Specifications & Dimensions

| | |
|-------------------------------------|---|
| Supply Water Pressure Min. - Max. | 40 - 100 psi (276 - 689 kPa) |
| Supply Water Temperature Min. - Max | 40 - 100 °F (4 - 38 °C) |
| Rated Service Flow | 1.8 gallons per minute (6.8 liters per minute) |
| Inlet - Outlet | 3/8" quick connect fittings (tubing not included) |



Filtration System Highlights

- Delivers Exceptional Water Quality: Offers clean, great-tasting water directly from your kitchen or bathroom faucet.
- NSF Certified Filtration Technology: Reduces a wide range of contaminants, including sediment, chlorine taste and odor, cysts, lead and chemicals.
- Eco-Conscious Filtration Solution: Reduces reliance on bottled water.

PERFORMANCE CLAIMS

| Contaminant | Required Influent Level (µg/L) ^② | NSF Max. Permissible Effl. Level (µg/L) ^③ | Average Influent Level (µg/L) ^② | Avg. / Max. Effluent Level (µg/L) ^② | Avg. / Min. Percent Removal | EPA ^① Max. Contaminant Level (µg/L) ^④ |
|---|---|--|--|--|-----------------------------|---|
| Lead @ pH 6.5 | 150 ±10% | 10 | 150 | <0.5 / <0.5 | >99.7 / >99.7 | 15 |
| Lead @ pH 8.5 | 150 ±10% | 10 | 140 | <0.5 / <0.5 | >99.7 / >99.6 | 15 |
| Mercury @ pH 6.5 | 6 ±10% | 2 | 5.7 | <0.2 / <0.2 | >99.5 / >96.5 | 2 |
| Mercury @ pH 8.5 | 6 ±10% | 2 | 5.9 | 0.3 / 0.6 | 95.0 / 89.8 | 2 |
| Benzene | 15 ±10% | 5 | 15 | <0.5 / <0.5 | >96.7 / >96.7 | 5 |
| Cysts | ≥50,000 #/mL ^⑤ | 99.95% ^③ | 92,500 #/mL ^⑤ | <1 #mL/1 #/mL ^⑤ | 99.99 / 99.99 | None ^④ |
| Substance | | | | | | |
| Chlorine Taste & Odor | 2000 ±10% | 50% ^③ | 1900 | 50 / 50 | 97.4 / 97.4 | None ^④ |
| Particulate, Class I (0.5 to <1 micron) | 110,000 particles / mL ^⑤ | 85% ^③ | 19,700,000 particles / mL ^⑤ | 318,300 / 580,000 particles / mL ^⑤ | 98.49 / 99.6 | None ^④ |
| Microplastics (0.5 to <1 micron) | 110,000 particles / mL ^⑤ | 85% ^③ | 19,700,000 particles / mL ^⑤ | 318,300 / 580,000 particles / mL ^⑤ | 98.49 / 99.6 | None ^④ |

① Environmental Protection Agency maximum contaminant level as required under the Safe Drinking Water Act.

② Micrograms per liter, which is equivalent to parts per billion (PPB).

③ NSF minimum percent reduction requirement. Acceptance level for this substance is based on percent reduction, rather than maximum effluent concentration.

④ The EPA has not determined a maximum contaminant level for this chemical.

⑤ Particulate Class I, microplastics and cysts reported in particles per milliliter

This system has been tested according to NSF/ANSI 42, 53 and 401 for reduction of substances listed above. The concentration of the indicated substances in water entering the system was reduced to a concentration less than or equal to the permissible limit for water leaving the system, as specified in NSF/ANSI 42, 53 and 401. The testing was performed using spiked tap water at a flow rate of 1.8 gallons per minute (6.8 L/min.), pH of 7.5 ± 0.5, pressure of 60 psig, and temperature of 68 ± 5°F. This product is protected by U.S. patent no's: 6,866,704; 6,872,311; 7,276,166; 7,296,691; 7,241,388; 7,287,650; 7,566,014; 8,056,733; applicable U.S. patent applications; foreign patents and foreign patent applications.

ECOWATER
SYSTEMS



Your Water. Perfected.



EcoWater Systems LLC
P.O. Box 64420
St. Paul, MN 55164-0420



EcoWater Canada Ltd.
5240 Bradco Blvd.
Canada L4W 1G7